

New Product Information

Solstart 1P, 1-18A, IP00

single phase soft-starter with built in *bypass* for a variety of applications (air condition units, pumps, transformers etc).

New from Solcon, the latest addition to the OEM family of special application soft-starters.

Including current limiting capability allowing for installation according with regulations in many countries.

Advantages at a glance :

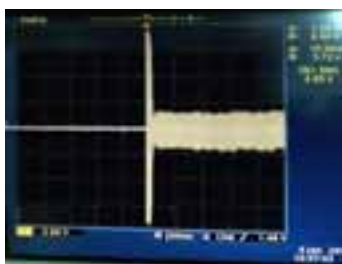
- Smallest foot print
- Cost effective
- Most ideal for problematic high current inrush motors
- Ease of power connection
- Fits into narrow space
- Easy connection and operation
- Robust Design

Technical Specification :

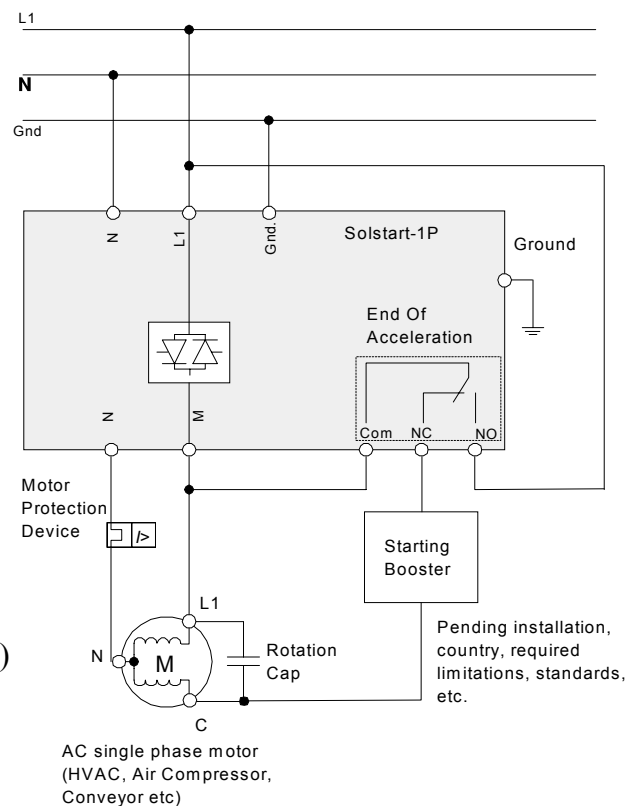
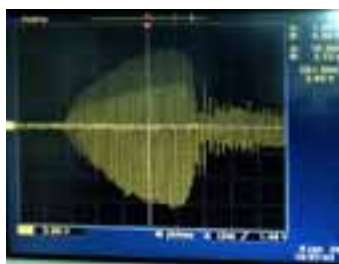
- Motor current range : 1-18A
- Current limit, preset at 3 x In
- Operating Voltage 240VAC (other voltages on requests)
- One time Current Limit adjustment
- Starting time less than 1 sec.
- Ambient Temperature: 50°C

Shown below are current signal with and without the Solstart 1P, 1-18A

DOL Starting without soft-starter and current limiter



Soft-Starting with the Solstart 1P soft-starter and the current limiter



Applications :

- Machine tools
- AC Compressors
- Electrode Welders
- Transformers
- High inrush fan motors
- Air compressors
- All other high inrush Single phase AC motors

Soft-Starting AC Motors is what we do best.